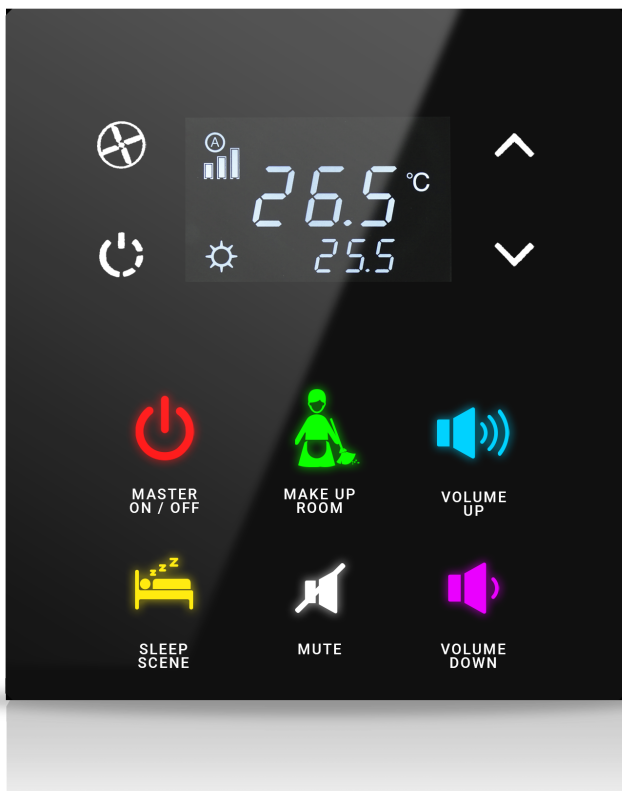


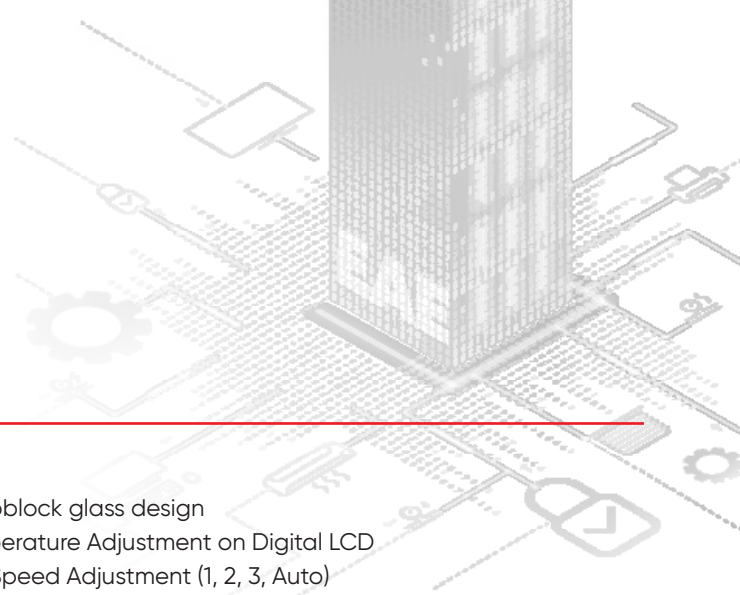
# Datasheet Mona Series

## **KNX Mona Thermostat**

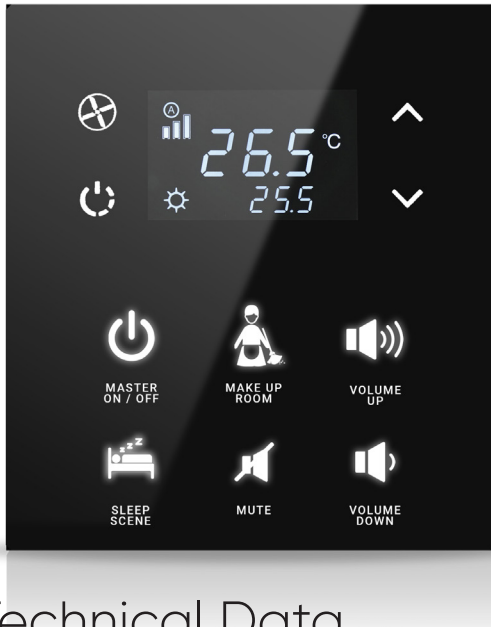
---

# All you need is EAE





## General Features



- Monoblock glass design
- Temperature Adjustment on Digital LCD
- Fan Speed Adjustment (1, 2, 3, Auto)
- Integrated Temperature Sensor (°C/ °F)
- Different Operation Modes (Comfort, Night, Away, OFF)
- Fully Automatic Function Mode (Heat – Cool transition)
- Control Flexibility for all HVAC units including VRF-VRV and AC
- PI proportional, PI PWM, Hysteresis, Fan coil, Split unit controls
- Easy mount into 60x60 mm standard switch junction boxes
- Different color options
- 1 – 6 independent programmable buttons
  - Switching
  - Dimming
  - Blind Control
  - Value Transmitting
  - Scene Control

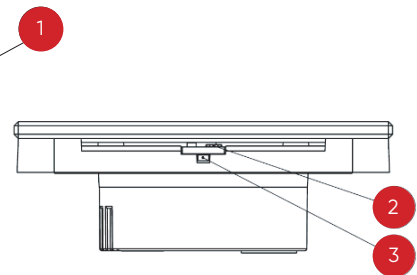
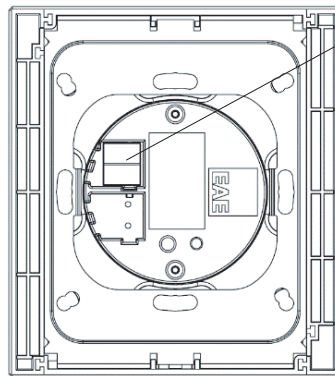
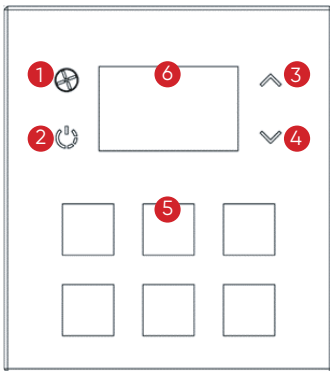
## Technical Data

|                              |  |  |
|------------------------------|--|--|
| <b>Type of Protection</b>    | IP20   | EN 60 529  |
| <b>Safety Class</b>          | II   | EN 61 140  |
| <b>Power Supply</b>          | "Voltage<br>Current drawn from bus"  | "21V... 30V DC, via the KNX bus<br><10mA"        |
| <b>Connection</b>            | KNX  | 150–275V AC, 50–60Hz<br>7W                       |
| <b>Operating Elements</b>    | LED(red) LED(white)  | P. Address Programming LED Button<br>Status LEDs |
| <b>Operating Temperature</b> | Ambient<br>Storage   | "-5° C +45° C<br>-25° C +55° C                   |
| <b>Temperature Sensor</b>    | Measurement Accuracy   | ±0,3° C  |
| <b>Humidity</b>              | Max. Air humidity condensation   | 95% no moisture                                  |
| <b>Dimensions</b>            | "Frontside<br>Side - Surface mounted part<br>Side - Flush mounted part"        | "90x100 mm<br>12 mm<br>18.8 mm                   |
| <b>Weight</b>                | 69 g   |  |
| <b>Material</b>              | "Glass - Surface Polycarbonate - Flush mounted part"                           |  |
| <b>Color</b>                 | "Front Side - Glass - Black or White Flush mounted part - Polycarbonate Black" |  |
| <b>CE</b>                    | "In accordance with the EMC guideline and low voltage"                         |  |

## Functional Elements and Connections

1. Fan Speed (1, 2, 3, Auto)
2. Operation Mode Button  
(Comfort, Night, Away,  
Protection, OFF)
3. Setpoint Temperature UP
4. Setpoint Temperature DOWN
5. Programmable Buttons
6. Built-in Screen

1. KNX Port Terminal
2. Programming LED
3. Programming Button



## Scale Drawing

