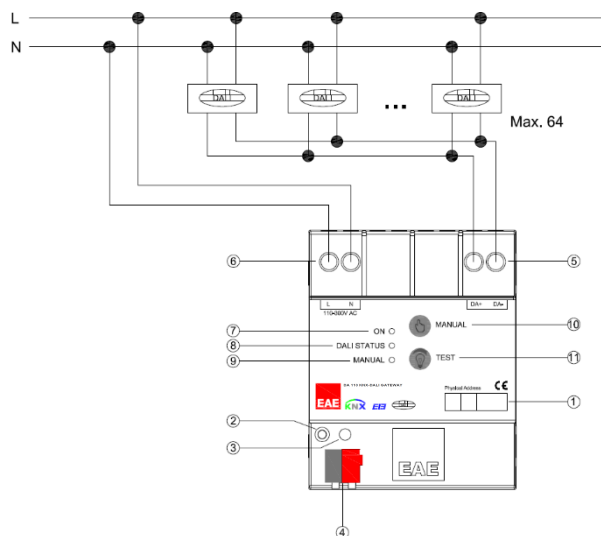


## Description

DALI Gateway operates as an interface between KNX bus and DALI bus system. DALI line power supply is integrated in the device. DA110 is used to control up to 64 normal DALI operating devices. (E.g. electronic ballasts, LED ballasts, transformers etc.)



## Connection

- |                                  |                            |
|----------------------------------|----------------------------|
| 1. Physical address label        | 7. Operating Led, Green    |
| 2. KNX programming button        | 8. DALI Status Led, Yellow |
| 3. KNX programming mode LED, Red | 9. Manual Mode LED, Red    |
| 4. KNX connection terminal       | 10. Manual Button          |
| 5. DALI output                   | 11. Test Button            |
| 6. Mains Connector               |                            |

## Technical Data

Protection Type	IP 20	EN 60 529
Safety Class	II	EN 61 140
KNX Supply	Voltage	21 V... 30 V DC SELV
	Current Consumption	≤ 10 mA
Main Supply	Voltage	85-300V AC @50-60 Hz
	Power Consumption	Max. 8 W
	Current Consumption	100 mA @85 V AC
DALI Supply	Voltage	16 V DC typical
	Current	Max. 200 mA
	DALI protocol	EN 62 238
Connections	Screw Terminals;	
	0,3...2,5mm <sup>2</sup> solid and stranded wire	
	0,3...1,5mm <sup>2</sup> stranded wire with ferrule	
	Max tightening torque	0.5 Nm
	KNX	Bus connect terminal
Output	Number of DALI devices	Max. 64
	Cable lengths;	
	1.5 mm <sup>2</sup> 300m 0.75 mm <sup>2</sup> 150m 0.5mm <sup>2</sup> 100m	
Installation	35mm mounting rail	EN 60 715
Temperature range	Ambient	-5° C + 45° C
	Storage	-25° C + 55° C
Humidity	Max. air humidity	95 % non-condense
Dimensions	70 x W x 91mm	W=72 mm (4 modules)
Box	Plastic, polycarbonate, colour grey	
CE	In accordance with the EMC guideline and low voltage directives.	

## Operation and Display

**ON-LED:** Lights up when device is working properly.

### DALI STATUS-LED

**Off:** No problem.

**On:** There is a short circuit on DALI Bus or line voltage (220 v) is connected to DALI Bus.

**Flashing Slowly:** There is device which has problem on the DALI Bus.

**Flashing Quickly:** Initialization

**MANUAL-LED:** Lights up when manual control is activated.

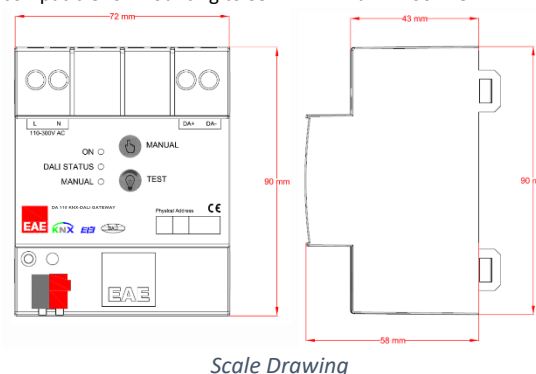
**MANUAL BUTTON:** Activate/Deactivate manual control. Press the manual button for 3 seconds to activate manual control.

**TEST BUTTON:** Lights on/off and dims all ballasts when manual is activated.

**PROGRAMMING-LED:** Red led lights up after the programming button pressed.

## Installation

Device is compatible for mounting to 35 mm DIN rail EN 60 715.



## Connection

KNX Bus must be connected to the KNX connection terminal. KNX Bus connector polarity must be respected. DALI and Mains connections are made using screw terminals. Terminal names can be found on the device and user manual.

## Commissioning

With EAE DALI Commissioning Tool, assignment of DALI members to light groups can be done easily. Physical address assigning and parameter settings are actualized with Engineering Tool Software (ETS 4 or higher). ".knxprod" file must be imported to the ETS.



A detailed information about parameter configuration can be found in Product Manual of device.



Installation and commissioning of device should only be implemented by trained electricians. The relevant standards, directives, regulations and instructions must be observed when planning and implementing the electrical installation.

-When connecting the device make sure that the device can be isolated!

-Protect the device against moisture, dirt and damage during transport, storage and operation!

-Do not operate the device out of the specified technical data stated in this document.

-The device may only be operated in closed enclosures (Distribution boards)

## Cleaning

If device becomes dirty, only a dry cloth must be used for cleaning. It is not appropriate to use wet cloths, caustics and solvents.