

General Description

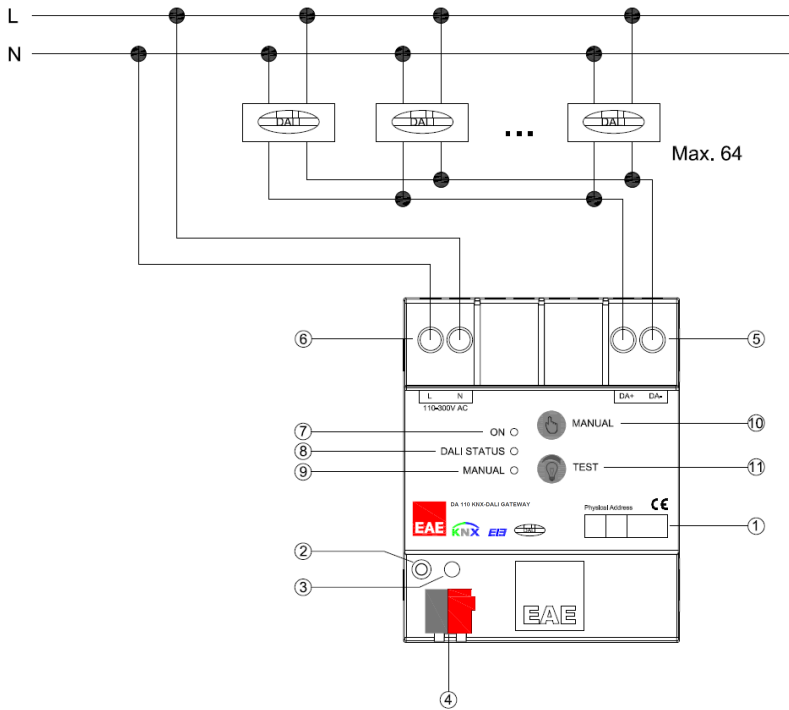


- DA110 KNX-DALI Gateway operates as an interface device between KNX bus and DALI bus (According to DALI Standard-IEC 62386). DALI line power supply is integrated in the device.
- Maximum 64 DALI devices (e.g. electronic ballast, transformer, LED driver) can be connected to DALI output.
- DA110 enables to control 64 DALI devices individually and can store 16 different lighting scenes.
- Addressing and test operations of DALI devices is made via Windows based PC software. (EAE DALI Tool)
- DALI devices fault information can be monitored by device based via different communication objects on the KNX.
- DA110 has internal DALI power supply which is enough to energize up to 64 DALI devices.

Technical Data

| | | |
|-----------------------------------|--|--|
| Type of protection | IP 20 | EN 60529 |
| Safety class | II | EN 61140 |
| KNX supply⁽⁴⁾ | Voltage Current consumption | 21 - 30V DC, SELV < 10mA |
| Mains supply⁽⁶⁾ | Voltage Power consumption Current consumption | 85 - 300V AC @ 50-60Hz Max. 8W 100mA @ 85V AC |
| DALI supply⁽⁵⁾ | Voltage Current | 16V DC typical Max. 200mA |
| Connections | Screw terminals Max tightening torque KNX terminal | 0,05 - 2,5mm ² solid wire 0,03 - 1,5mm ² stranded wire 0.5Nm Red - grey bus connect terminal |
| Output | Number of DALI devices Cable lengths | Max. 64 1.5 mm ² Max. 300 m 0.75 mm ² Max. 150 m 0.5 mm ² Max. 100 m |
| Installation | 35mm mounting rail | EN 60715 |
| Operating elements | Programming LED and button Green LED Yellow LED Red LED Manual button Test button | Physical address localization Power OK Initialization active (fast blink) A DALI device fault present (slow blink) DALI line power failure (constant on) Manual operation active Activate the manual control over test button Switch-dim DALI output (when Manual Mode is active) |
| Temperature range | Ambient Storage | -5°C +45°C -25°C +55°C |
| Humidity | Max. air humidity | 95% no moisture condensation |
| Dimensions | Width W in mm Width W in units | 70 x W x 91mm 69mm 4 modules (18mm modules) |
| Box | Plastic, polycarbonate, colour grey | |
| CE | In accordance with the EMC guideline and low voltage directive | |

Connection Example



Scale Drawings

